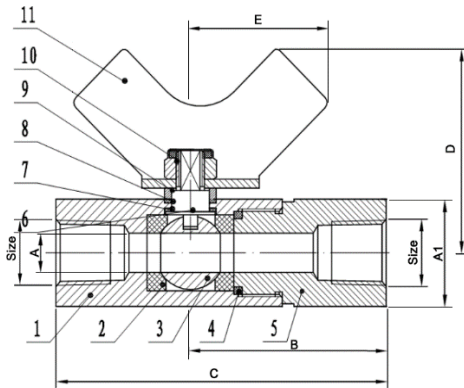


316 Stainless Steel Mini Ball Valves



1000 PSI CWP 150 WSP Service
Suitable for Vacuum Service Up to 29.9" Hg
Full Port 1/4"
Reduced Port 3/8" & 1/2"
Temperature Range: -36°F to 368°F
316 Stainless Steel Body
316 Stainless Steel Ball and Stem
PTFE Ball Seat and Viton® O-Ring
304 Stainless Steel OSHA Compliant
Butterfly Locking Handle
For Use With 9/32 Lock (Lock not Included)
FPT Connection
ISO Registered Factory
MSS SP-110 Approved
RoHS Compliant

Part No.	Size (In)	A (In)	A1 (Hex In)	B (In)	C (In)	D (In)	E (In)	Cv	Wt. (lbs.)	Carton Qty
MSFF-25	1/4 x 1/4	0.31	0.85	1.61	2.75	1.63	1.06	8.23	0.43	36
MSFF-38	3/8 x 3/8	0.31	0.85	1.7	2.75	1.63	1.06	6.70	0.43	36
MSFF-50	1/2 x 1/2	0.31	0.97	1.95	3.46	1.63	1.06	5.70	0.60	36

Weights Are ± 3%

Part No.	Description	Material
1	Body	S316
2	Seat	PTFE
3	Ball	S316
4	O-Ring	Viton®
5	Cap	S316
6	Stem	S316
7	Stem Bottom Seal	PTFE
9	Spring Washer	S316
10	Lock Nut w/Washer	304 SS
11	Handle	304 SS

Drawing Date: 5/2009

Rev. Level-Date: R5 12/2021



WARNING: This product can expose you to chemicals, including lead, which is known to the State of California to cause cancer and reproductive harm. For more information go to www.P65Warnings.CA.gov